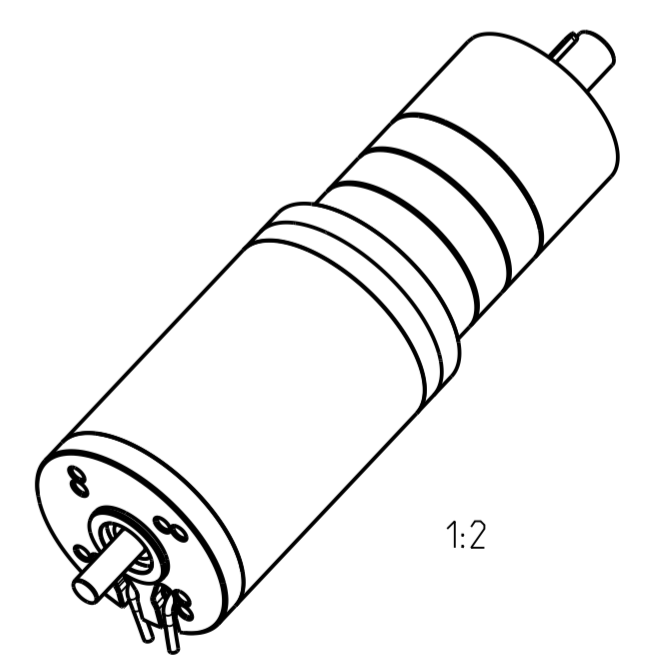
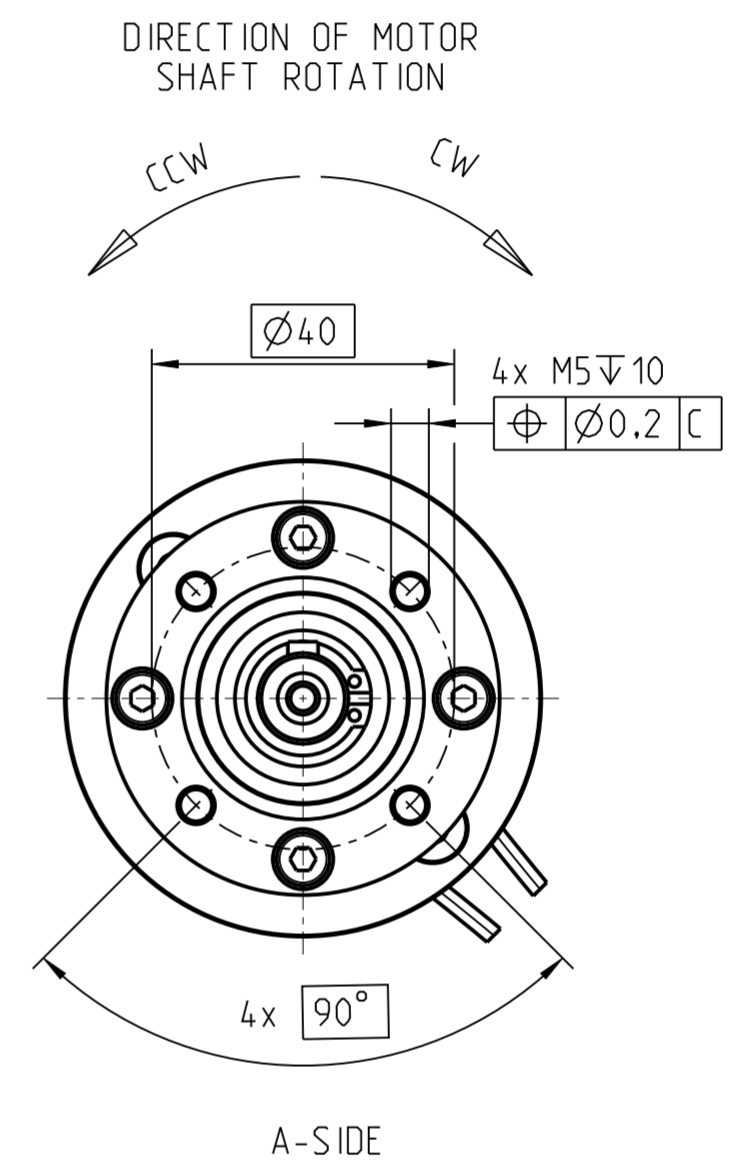
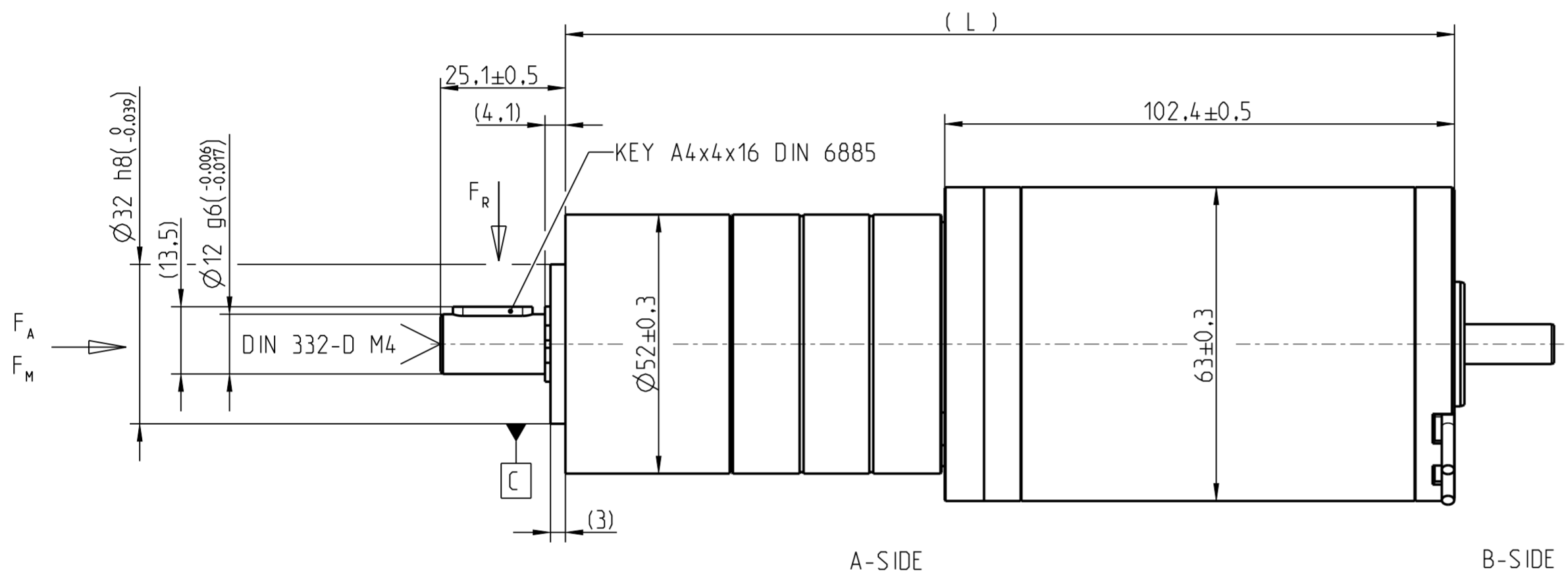


| STAGES | RATIO i (CATALOG)            | F <sub>R</sub> | F <sub>A</sub> | F <sub>M</sub> | T <sub>MAX</sub> | ( L )  |
|--------|------------------------------|----------------|----------------|----------------|------------------|--------|
| 1      | 4:1                          | 200 N          | 60 N           | 500 N          | 400 Ncm          | 150.2  |
| 2      | 14:1 / 19:1 / 25:1           | 320 N          | 100 N          | 500 N          | 1200 Ncm         | 164.35 |
| 3      | 71:1 / 100:1 / 130:1 / 169:1 | 450 N          | 150 N          | 500 N          | 2500 Ncm         | 178.6  |

F<sub>R</sub> - ALLOWED RADIAL FORCE MIDDLE OUTPUT SHAFT FROM MOUNTING SURFACE  
 F<sub>A</sub> - ALLOWED AXIAL FORCE  
 F<sub>M</sub> - ALLOWED MOUNTING FORCE FOR ADD-ON PARTS  
 T<sub>MAX</sub> - ALLOWED TORQUE



|                    |  |                            |  |                     |  |
|--------------------|--|----------------------------|--|---------------------|--|
| GENERAL TOLERANCES |  | MATERIAL                   |  | WT-PART NUMBER      |  |
| -                  |  | PLANETARY GEARBOX PLG52    |  | 13000596            |  |
| TOLERANCING        |  |                            |  | CREATED             |  |
| ISO 8015           |  |                            |  | M.Semmlinger        |  |
| THEORETICAL MASS   |  | CHANGE DESCRIPTION         |  | CHANGE NUMBER       |  |
| (231.32 g)         |  | 0x ② EDITORIAL CHANGES     |  | APPROVED            |  |
| SCALE              |  | SIZE                       |  | PREVIOUS VERSION    |  |
| 1:1                |  | DIN A2                     |  | -                   |  |
| Bühler Motor       |  | Bühler                     |  | DOCUMENT STATE      |  |
|                    |  | TITLE                      |  | DOCUMENT REVISION   |  |
|                    |  | bMotion                    |  | 13001984 2          |  |
|                    |  | PMDC 63x95                 |  | DATE OF ISSUE SHEET |  |
|                    |  |                            |  | 2024-05-21 2/10     |  |
| DIMENSIONS IN mm   |  | ENGLISH WORDING IS BINDING |  | ASSEM. DRAWING      |  |

THE REPRODUCTION, DISTRIBUTION AND UTILIZATION OF THIS DOCUMENT AS WELL AS THE  
 CONSTRUCTION OF A SIMILAR OR IDENTICAL DEVICE WITHOUT EXPRESS PERMISSION IS  
 PROHIBITED. OFFENDERS WILL BE HELD LIABLE FOR THE PAYMENT OF DAMAGES. ALL  
 RIGHTS RESERVED IN THE EVENT OF THE GRANT OF A PATENT. UTILITY MODEL OR DESIGN.  
 FIRST ANGLE PROJECTION  
 Projektionsmethode 1

Weitergabe sowie Vervielfältigung dieses Dokuments, Verwertung und  
 Verbreitung, auch auszugsweise, ist ohne schriftliche Genehmigung der  
 Bühler Group. Die Bühler Group übernimmt keine Haftung für Schäden  
 oder Schäden an Personen, Sachwerten oder sonstigen Eigentümern.  
 Der Patent-, Gebrauchsmuster- oder Geschmacksmusterrecht vorbehalten.