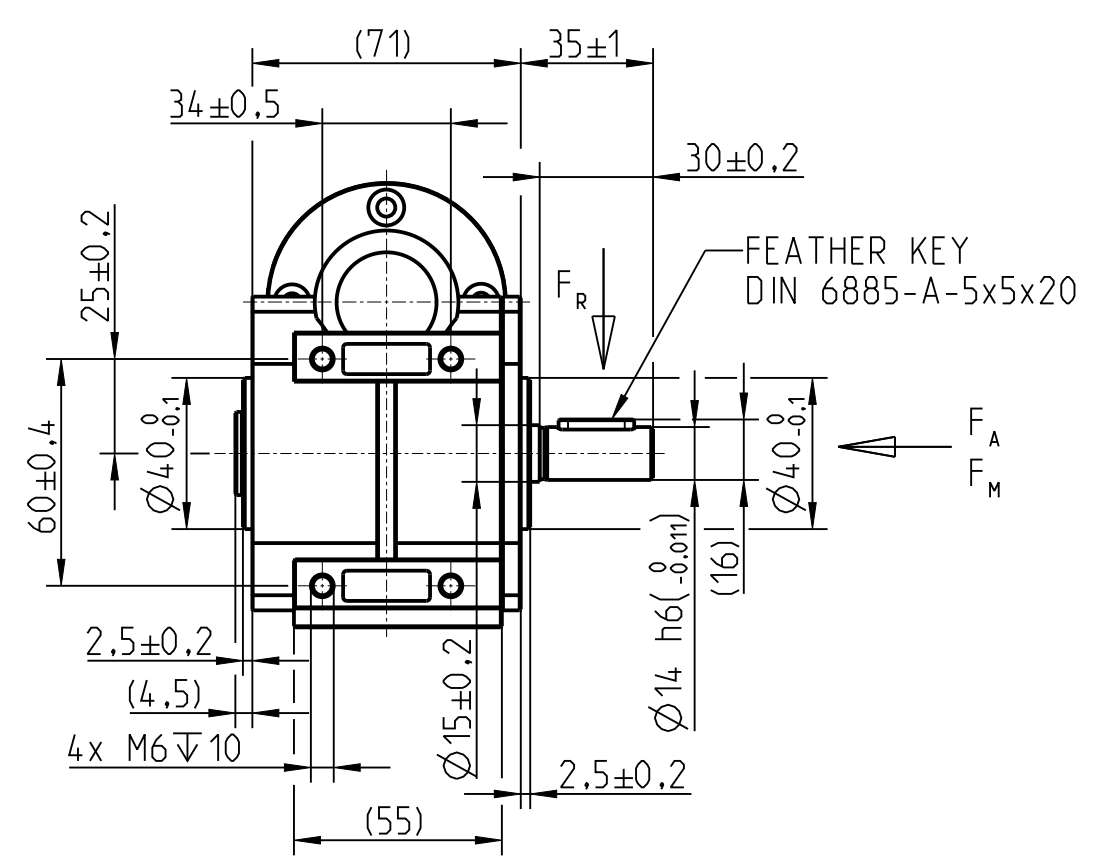
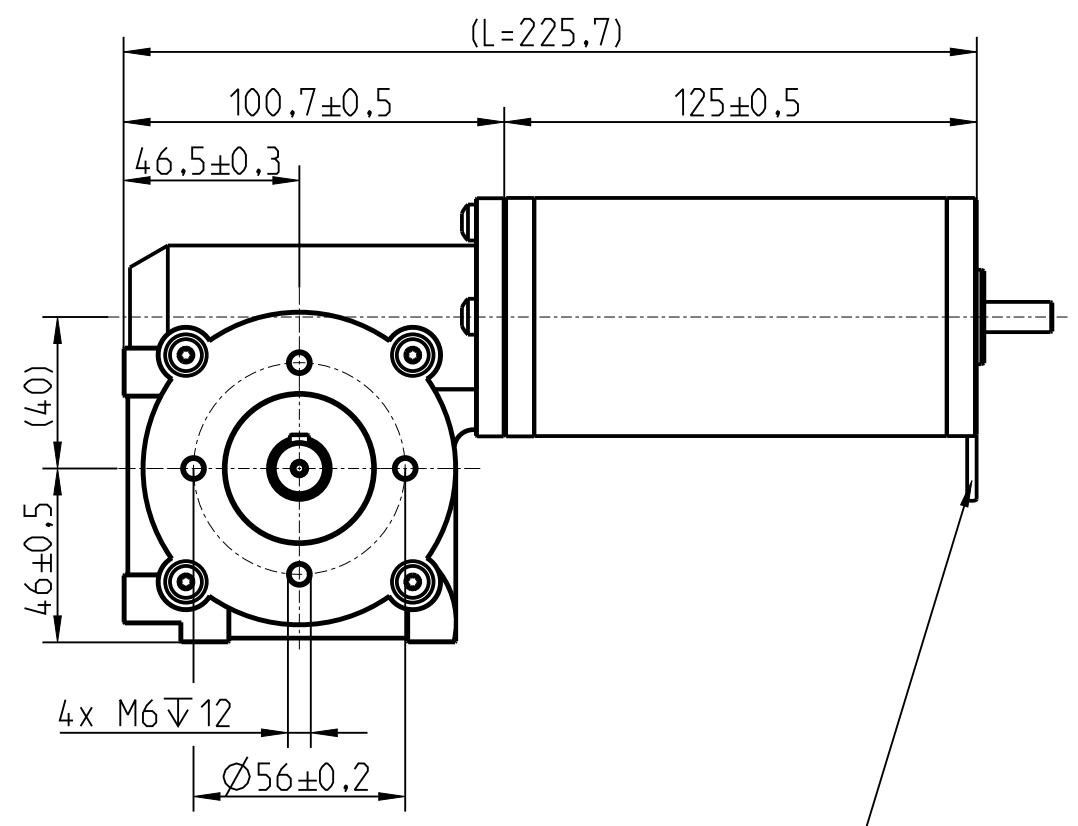
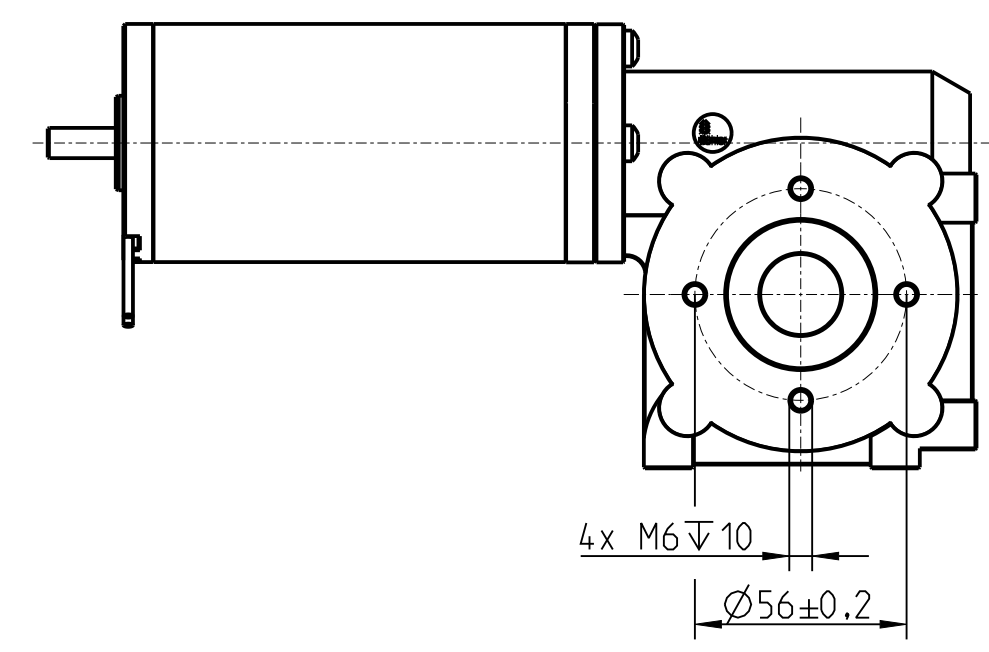
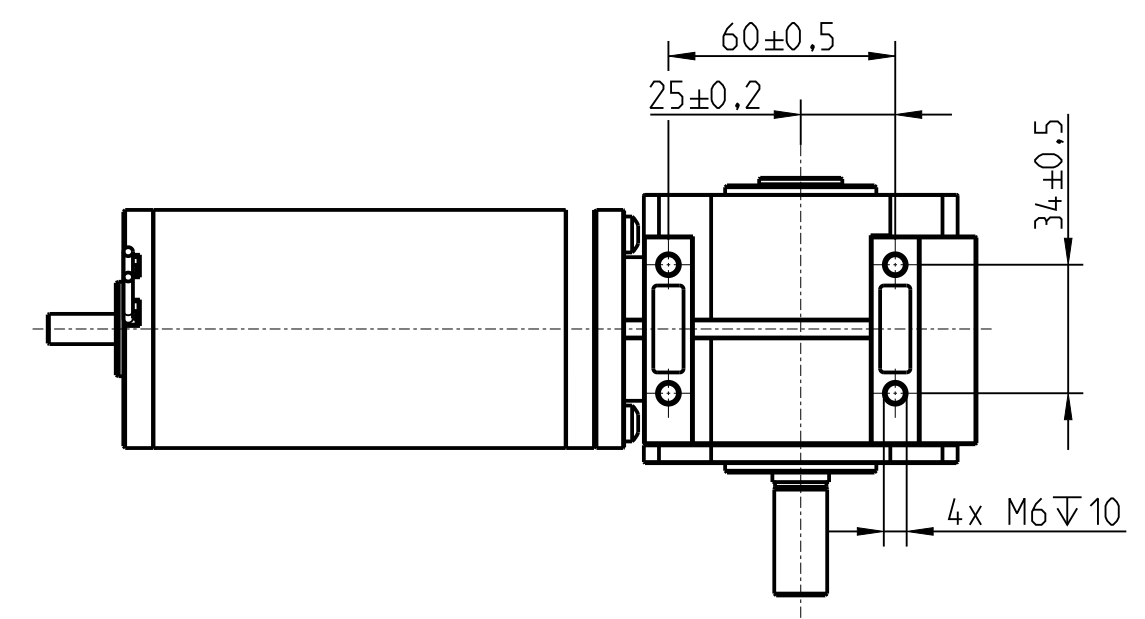


| | | | | | | |
|------------------|-------------------|---|-------|-------|---------------------|-----------|
| 1 | 2 | 3 | 4 | 5 | 6 | |
| MATERIAL (STYLE) | RATIO i (CATALOG) | | F_R | F_A | F_M | T_{MAX} |
| PLASTIC (HELIX) | 10:1 / 15:1 | | 300 N | 100 N | 100 N (UNSUPPORTED) | 1200 Ncm |

F_R - ALLOWED RADIAL FORCE MIDDLE OUTPUT SHAFT FROM MOUNTING SURFACE
 F_A - ALLOWED AXIAL FORCE
 F_M - ALLOWED MOUNTING FORCE FOR ADD-ON PARTS
 T_{MAX} - ALLOWED TORQUE

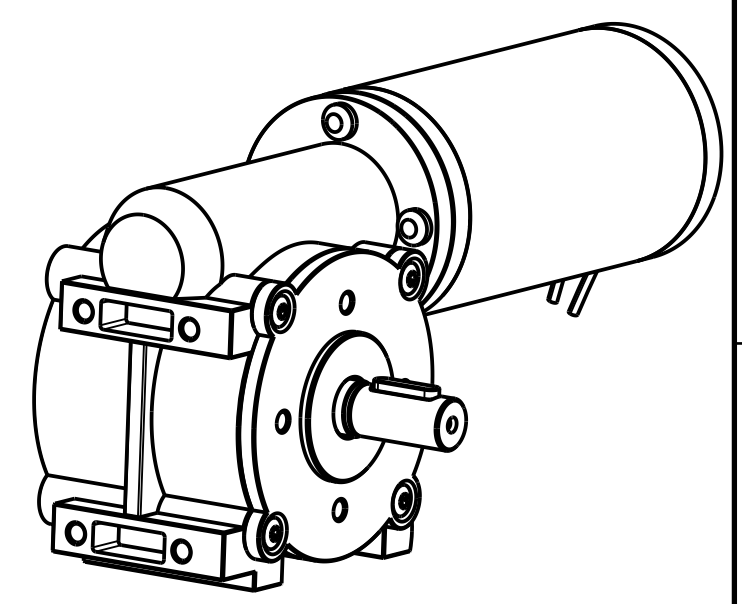
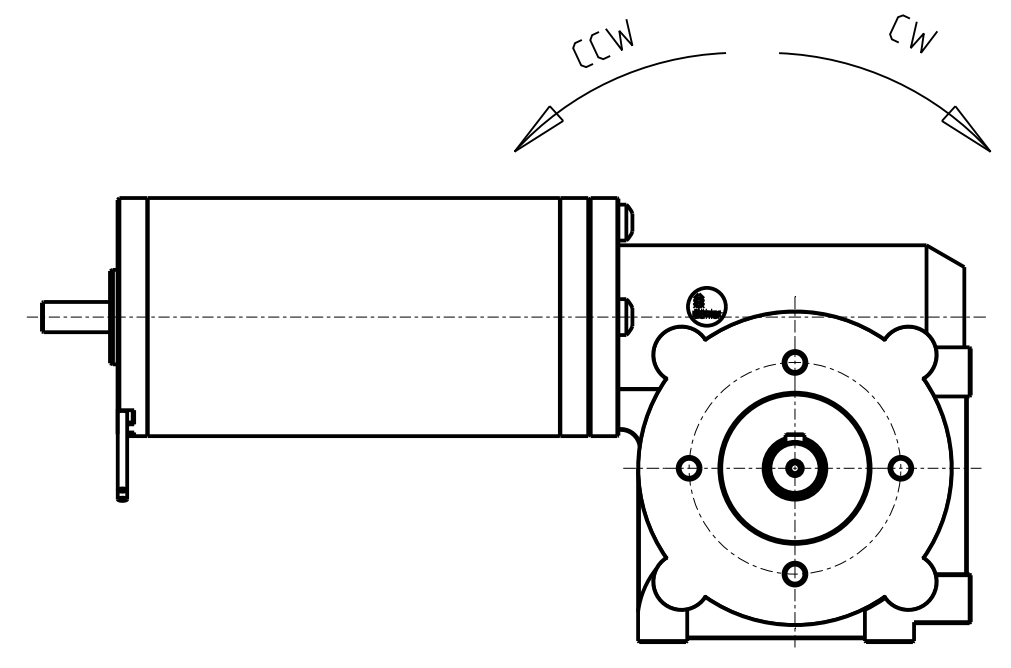
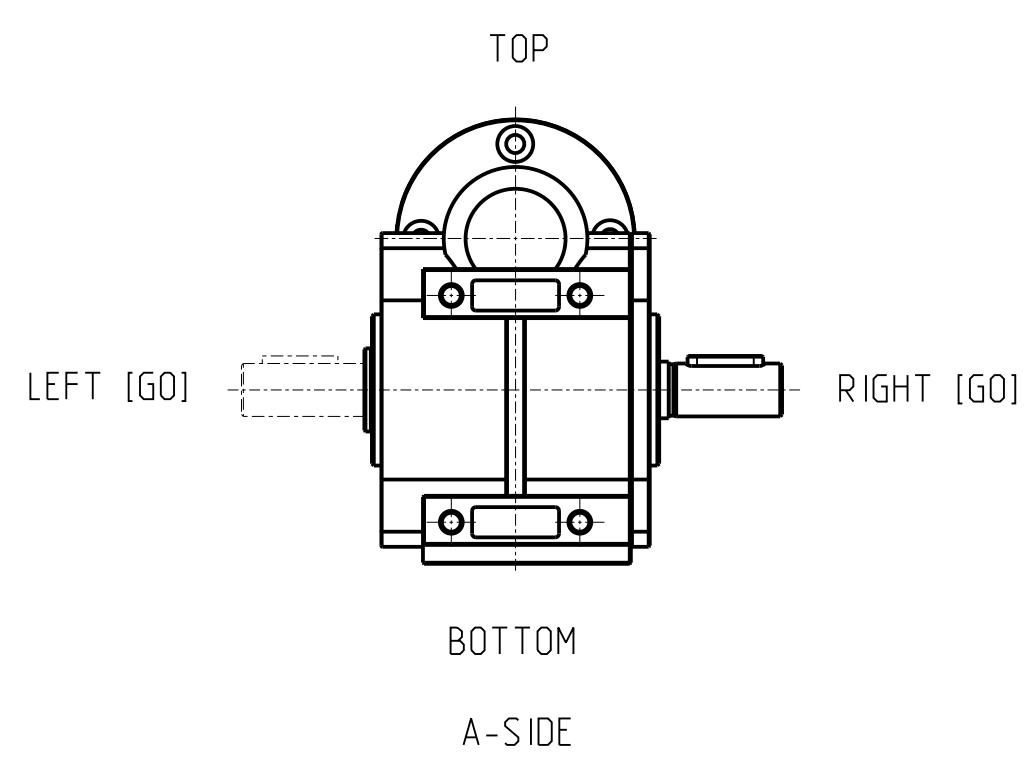
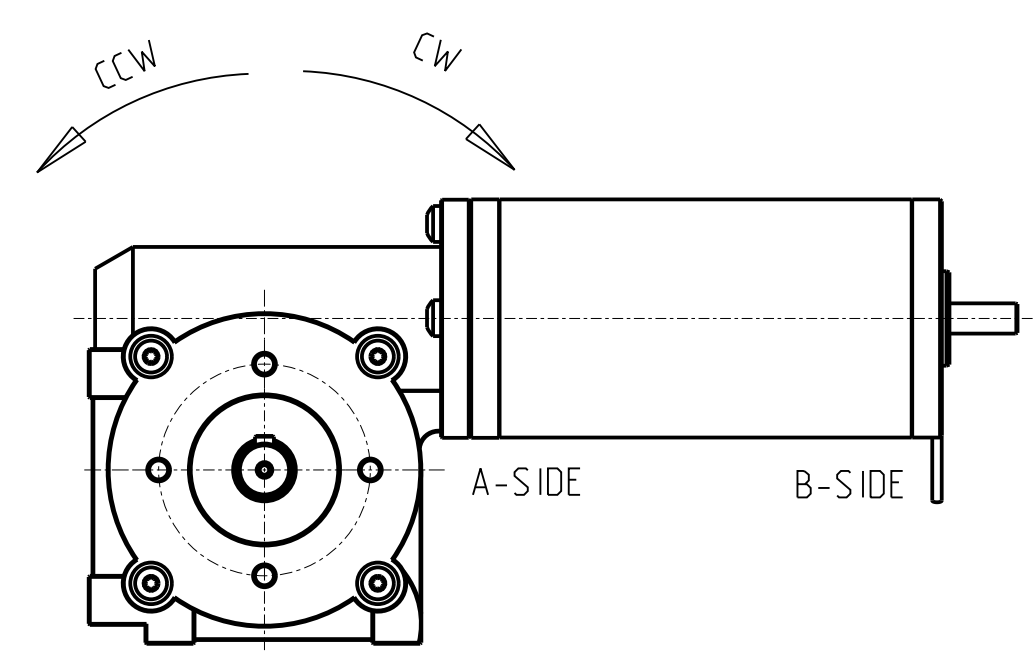


CABLE EXIT [GM]
 BOTTOM / TOP / LEFT / RIGHT

DIRECTION OF GEARBOX SHAFT ROTATION FOR RIGHT SHAFT [GO]

GEARBOX SHAFT ORIENTATION [GO]

DIRECTION OF GEARBOX SHAFT ROTATION FOR LEFT SHAFT [GO]



| | | | | | |
|--------------------|--|----------------------------|--|---------------------|--|
| GENERAL TOLERANCES | | MATERIAL | | WT-PART NUMBER | |
| - | | WORMGEAR WG40 | | 13010706 | |
| TOLERANCING | | CHANGE DESCRIPTION | | CREATED | |
| ISO 8015 | | 0x ② EDITORIAL CHANGES | | M.Semmlinger | |
| THEORETICAL MASS | | CHANGE NUMBER | | APPROVED | |
| (233.032 g) | | - | | Bretschneider | |
| SCALE | | PREVIOUS VERSION | | DOCUMENT STATE | |
| 1:2 | | - | | Design Released | |
| SIZE | | TITLE | | DOCUMENT REVISION | |
| DIN A2 | | bMotion | | 13010705 2 | |
| Bühler Motor | | PMDC 63x125 | | DATE OF ISSUE SHEET | |
| DIMENSIONS IN mm | | ENGLISH WORDING IS BINDING | | 2024-05-22 5/10 | |
| | | | | ASSEM. DRAWING | |

THE REPRODUCTION, DISTRIBUTION AND UTILIZATION OF THIS DOCUMENT AS WELL AS THE CONSTRUCTION OF ANY MACHINE OR APPARATUS WITHOUT THE EXPRESS WRITTEN PERMISSION OF BÜHLER MOTOR AG IS PROHIBITED. OFFENDERS WILL BE HELD LIABLE FOR THE PAYMENT OF DAMAGES. ALL RIGHTS RESERVED IN THE EVENT OF THE GRANT OF A PATENT. UTILITY MODEL OR DESIGN.

Wiedereingabe sowie Vervielfältigung dieses Dokuments, Verwertung und Herstellung ohne schriftliche Genehmigung von Bühler Motor AG ist untersagt. Alle Rechte für den Fall der Patent-, Gebrauchsmuster- oder Geschmacksmusterrechte vorbehalten.