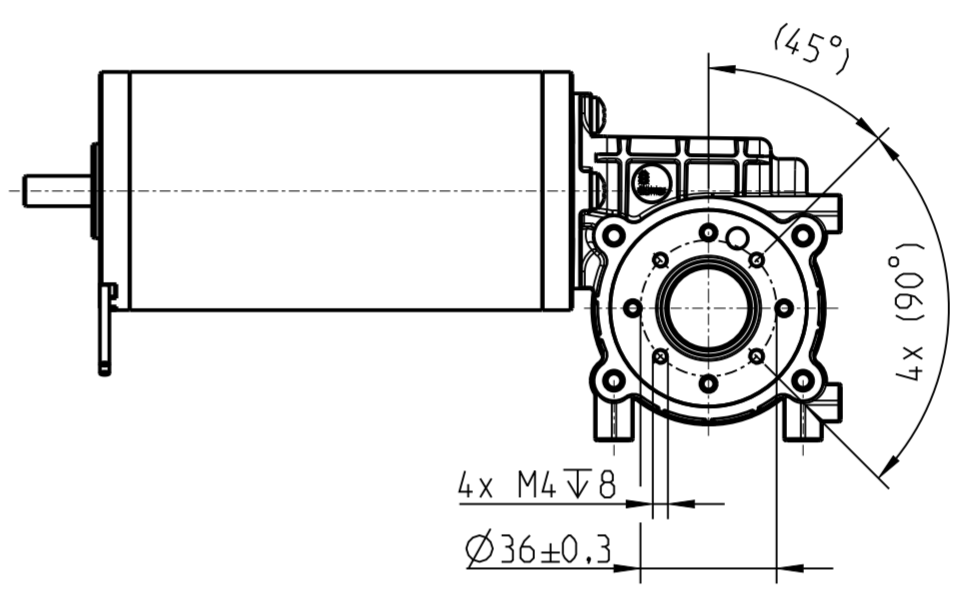
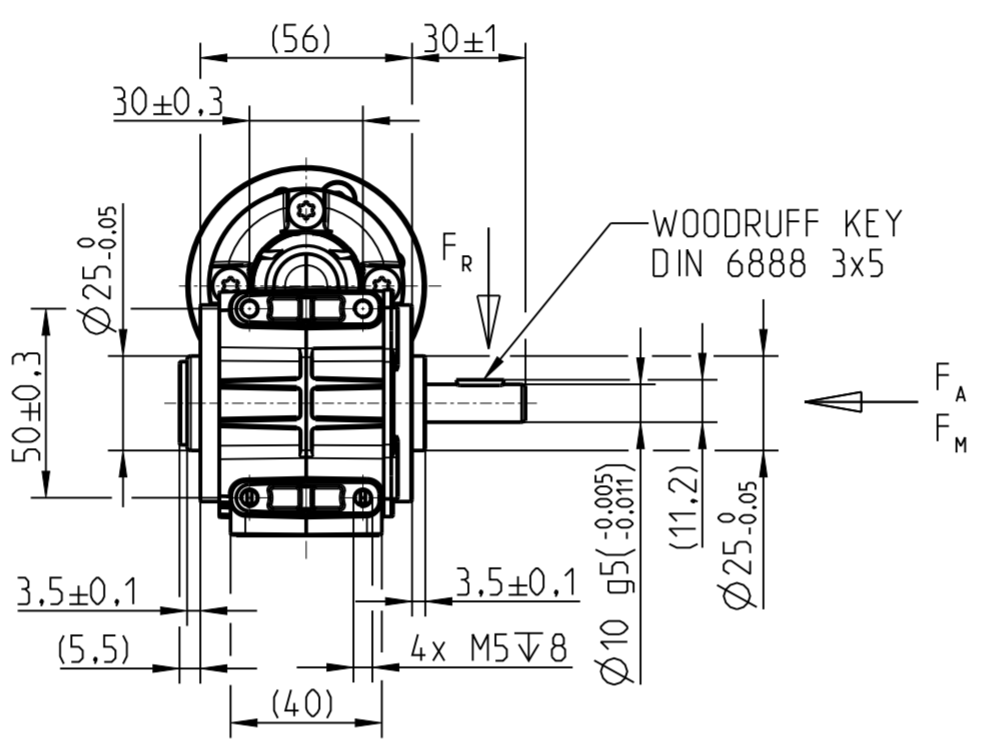
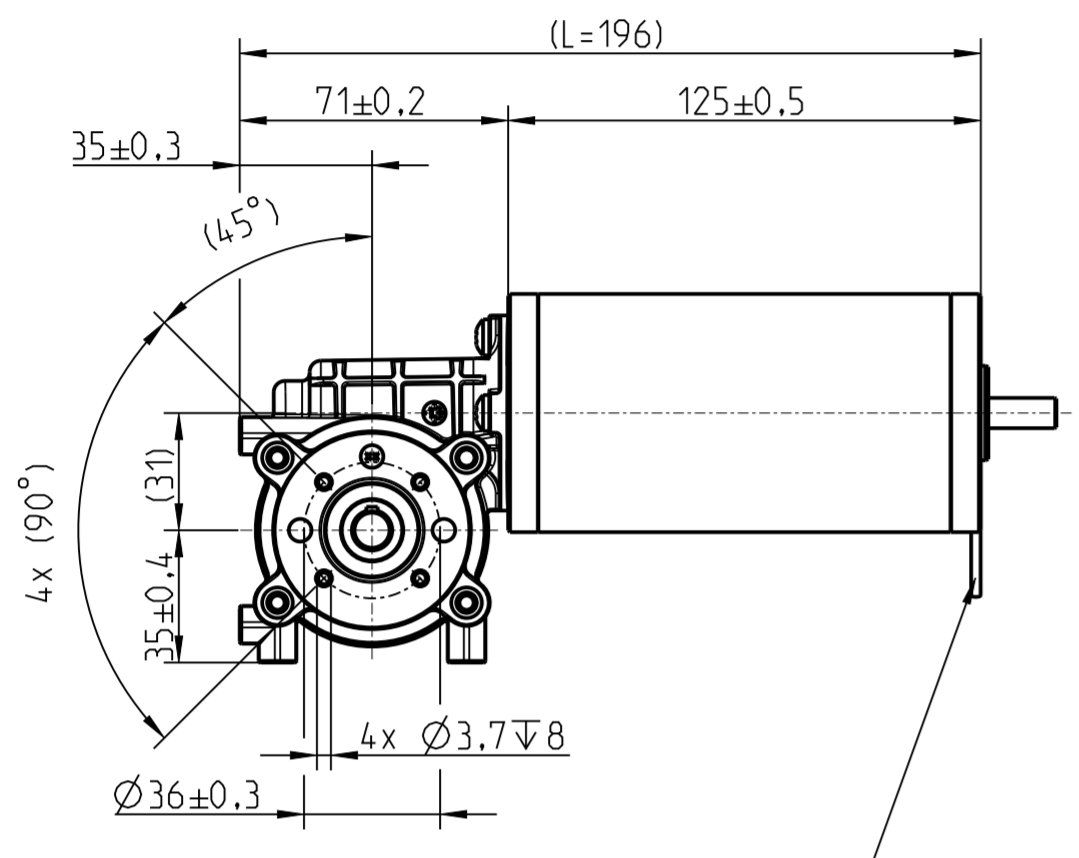
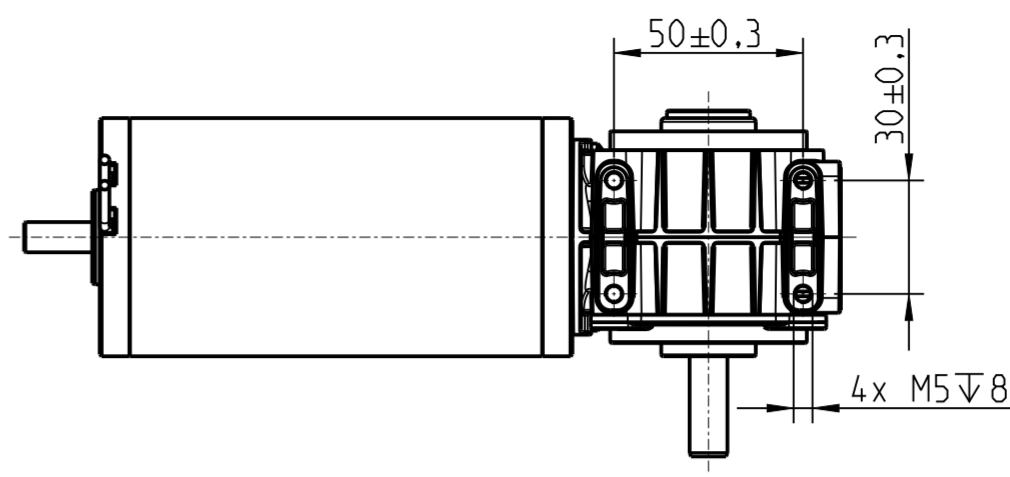


1	2	3	4	5	6	7	8	9	10	11	12
MATERIAL (STYLE)	RATIO i (CATALOG)	$F_R$	$F_A$	$F_M$	$T_{MAX}$						
METAL (GLOBOID)	5:1	300 N	100 N	100 N (UNSUPPORTED)	992 Ncm						
METAL (GLOBOID)	10:1				1050 Ncm						
METAL (GLOBOID)	15:1				1170 Ncm						
METAL (GLOBOID)	30:1				1130 Ncm						
METAL (GLOBOID)	50:1				1000 Ncm						
METAL (GLOBOID)	75:1				800 Ncm						
PLASTIC (HELIX)	10:1 / 15:1					400 Ncm					

$F_R$  - ALLOWED RADIAL FORCE MIDDLE OUTPUT SHAFT FROM MOUNTING SURFACE  
 $F_A$  - ALLOWED AXIAL FORCE  
 $F_M$  - ALLOWED MOUNTING FORCE FOR ADD-ON PARTS  
 $T_{MAX}$  - ALLOWED TORQUE

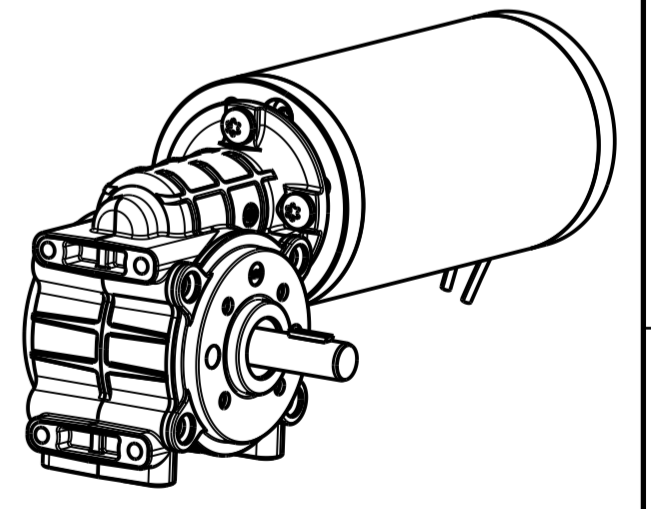
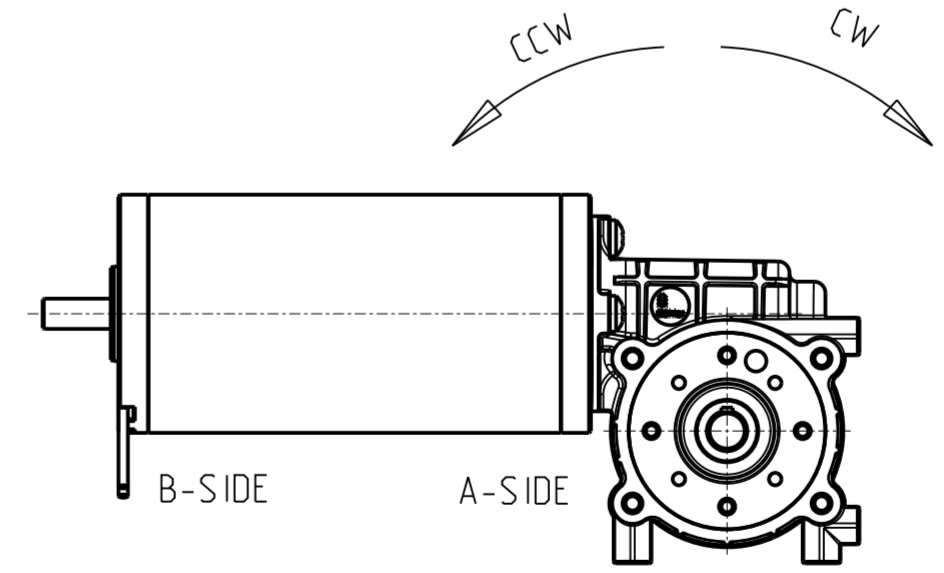
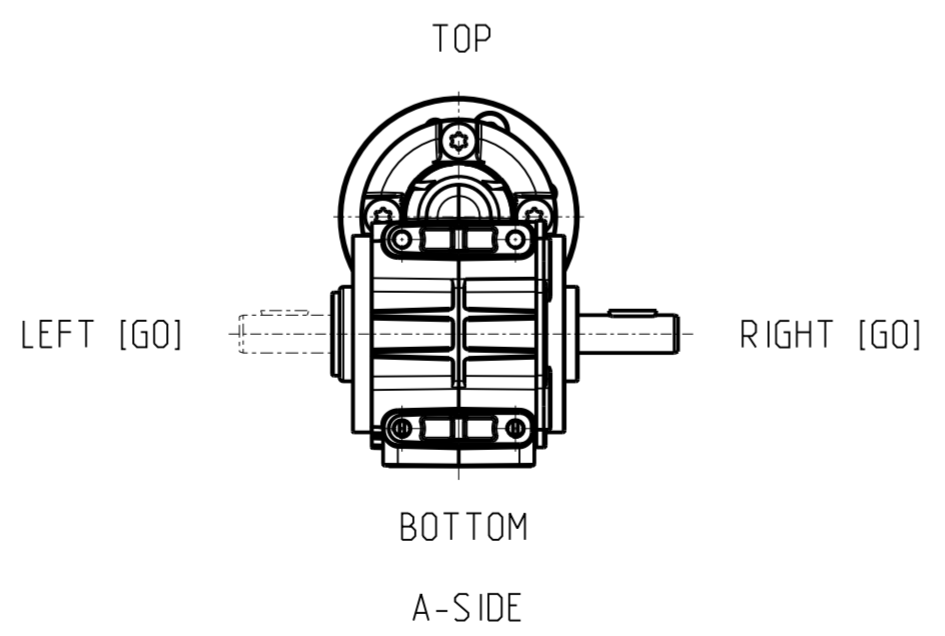
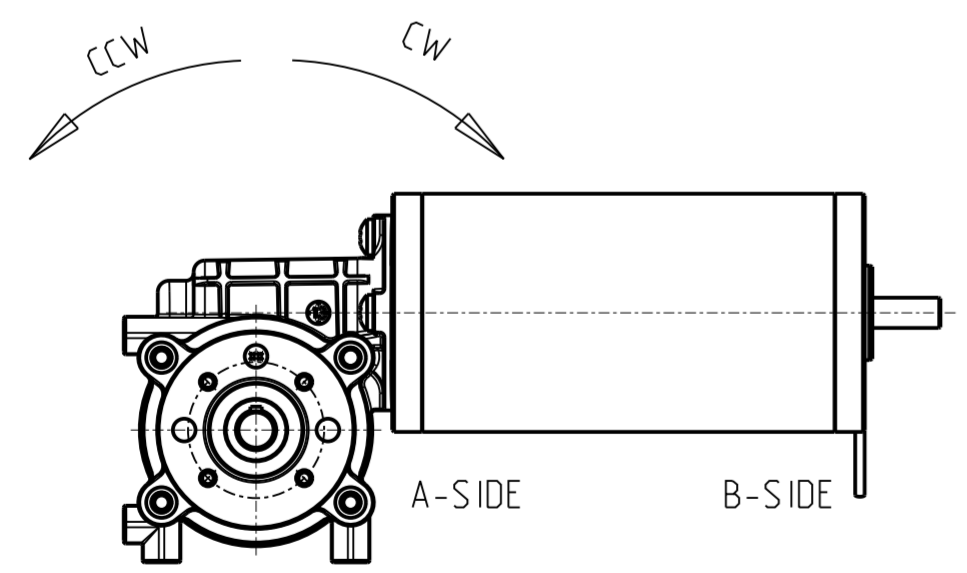


CABLE EXIT [GM]  
BOTTOM / TOP / LEFT / RIGHT

DIRECTION OF GEARBOX SHAFT ROTATION FOR RIGHT SHAFT [GO]

GEARBOX SHAFT ORIENTATION [GO]

DIRECTION OF GEARBOX SHAFT ROTATION FOR LEFT SHAFT [GO]



GENERAL TOLERANCES		MATERIAL		WT-PART NUMBER	
-		WORMGEAR WG31		13010706	
TOLERANCING				CREATED	
ISO 8015				M.Semmlinger	
THEORETICAL MASS		CHANGE DESCRIPTION		CHANGE NUMBER	
(233.032 g)		0x ② EDITORIAL CHANGES		APPROVED	
SCALE		SIZE		PREVIOUS VERSION	
1:2		DIN A2		-	
Bühler Motor		Bühler		DOCUMENT STATE	
		TITLE		DOCUMENT REVISION	
		bMotion		13010705 2	
		PMDC 63x125		DATE OF ISSUE SHEET	
				2024-05-22 4/10	
DIMENSIONS IN mm		ENGLISH WORDING IS BINDING		ASSEM. DRAWING	

Wichtige sowie Verfügbare dieses Dokumentes, Verwertung und  
 Weitergabe ohne schriftliche Genehmigung der Bühler AG ist  
 ausdrücklich untersagt. Alle Rechte für den Fall  
 der Patent-, Gebrauchsmuster- oder Geschmacksstreitigkeiten vorbehalten.

FIRST ANGLE PROJECTION  
 Projektionsmethode 1

THE REPRODUCTION, DISTRIBUTION AND UTILIZATION OF THIS DOCUMENT AS WELL AS THE  
 CONSTRUCTION OF ANY MACHINE OR APPARATUS WITHOUT THE EXPRESS WRITTEN  
 PERMISSION OF BÜHLER MOTORS AG IS PROHIBITED. OFFENDERS WILL BE HELD  
 LIABLE FOR THE PAYMENT OF DAMAGES. ALL RIGHTS RESERVED IN THE EVENT OF A  
 PATENT, UTILITY MODEL OR DESIGN.