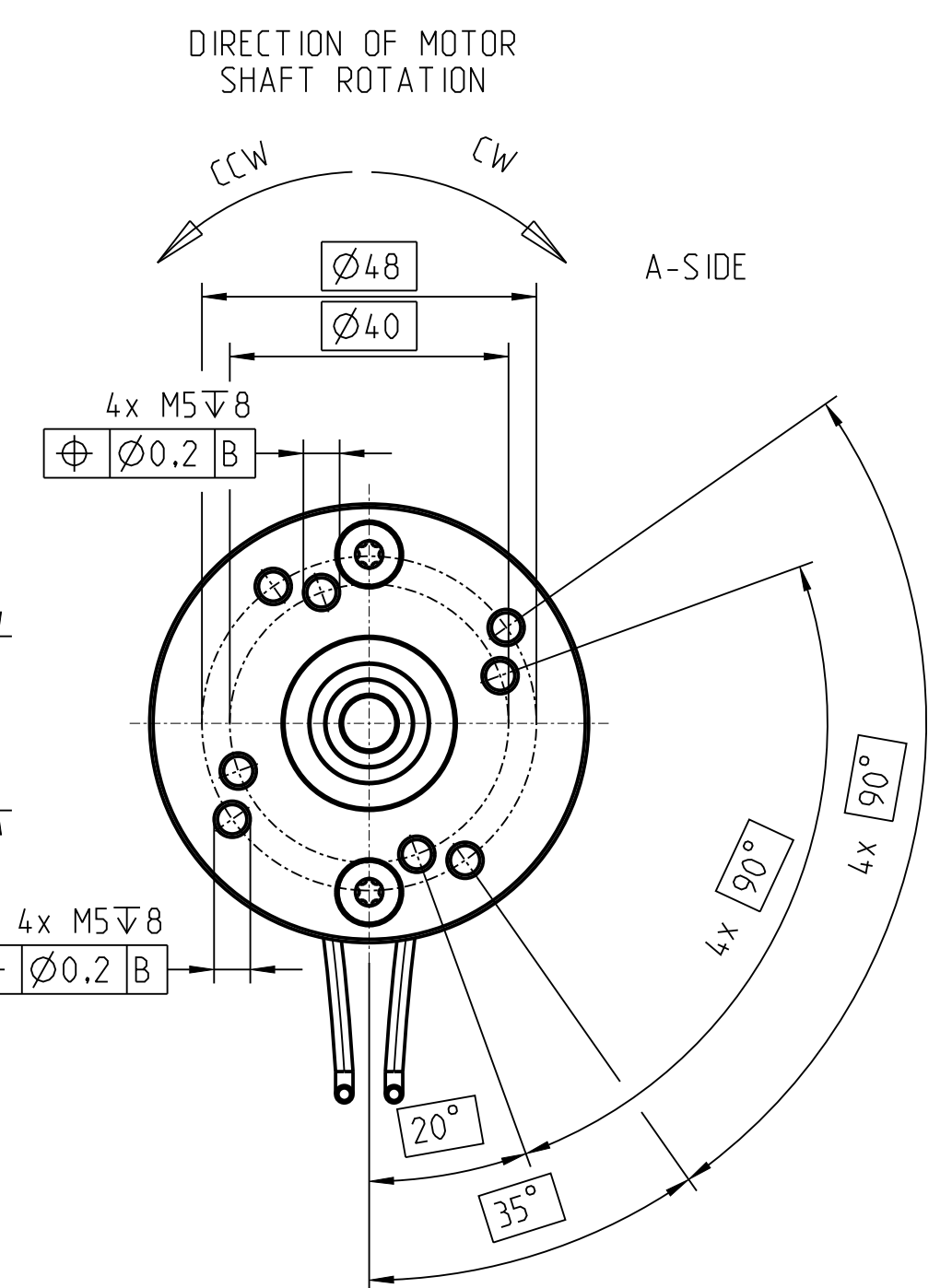
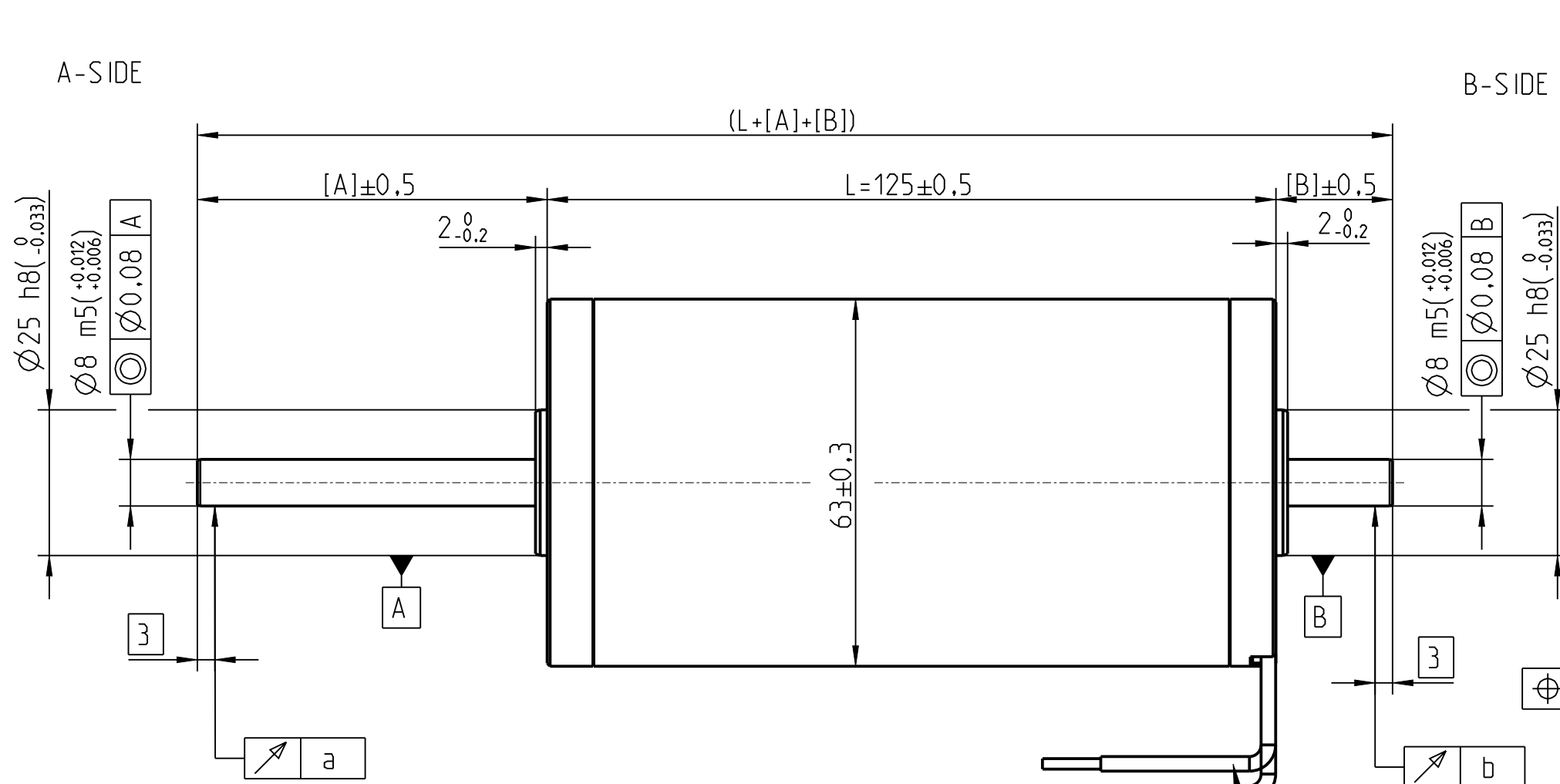
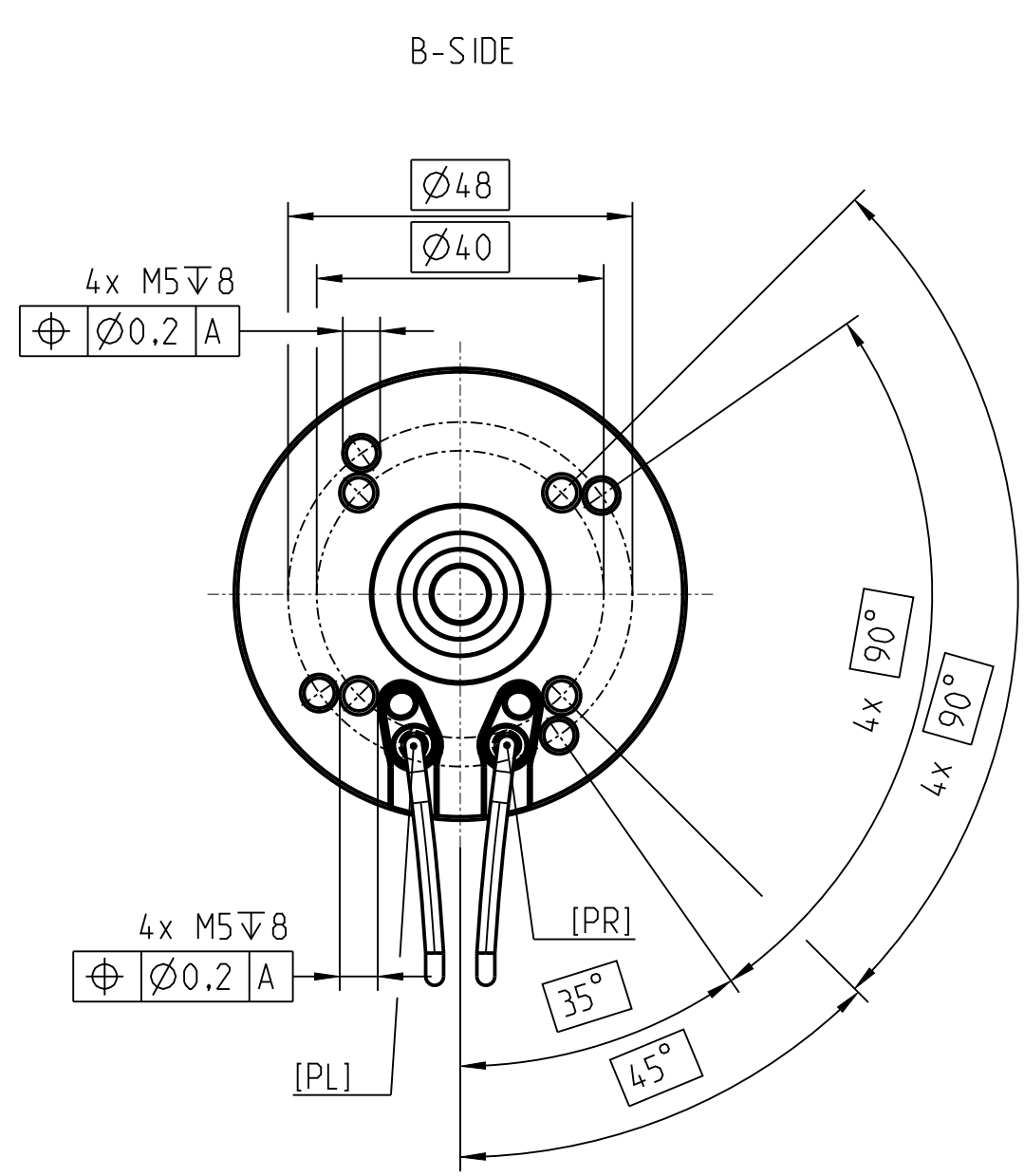


THE REPRODUCTION, DISTRIBUTION AND UTILIZATION OF THIS DOCUMENT AS WELL AS THE
 CONSTRUCTION OF A MOTOR OR OTHER DEVICE WITHOUT EXPRESS PERMISSION FROM BÜHLER IS
 PROHIBITED. OFFENDERS WILL BE HELD LIABLE FOR THE PAYMENT OF DAMAGES. ALL
 RIGHTS RESERVED IN THE EVENT OF THE GRANT OF A PATENT. UTILITY MODEL OR DESIGN.
 Wiedergabe sowie Vervielfältigung dieses Dokuments, Verwertung und Herstellung
 ohne schriftliche Genehmigung von Bühler sind untersagt. Alle Rechte für den Fall
 der Patent-, Gebrauchsmuster- oder Geschmacksmustereintragung vorbehalten.

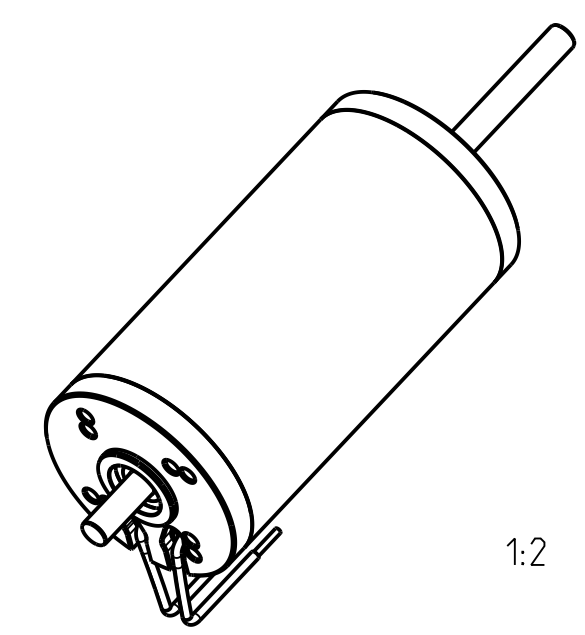


[A]	a
≤30	0.03
≤50	0.06
>50≤60	0.09

[B]	b
≤30	0.03
≤50	0.06
>50≤60	0.09

[PL]	[PR]	DIRECTION OF MOTOR SHAFT ROTATION
[PM]-	[PP]+	CW
[PP]+	[PM]-	CCW

POLARITY	COLOUR
+	RED
-	BLACK



1:2

GENERAL TOLERANCES		MATERIAL		WT-PART NUMBER	
-		DC MOTOR PMDC 63x125		13010706	
TOLERANCING ISO 8015		CHANGE DESCRIPTION 0x ② EDITORIAL CHANGES		CREATED M.Semmlinger	
THEORETICAL MASS (233.032 g)		CHANGE NUMBER		APPROVED Bretschneider	
SCALE 1:1		PREVIOUS VERSION -		DOCUMENT STATE Design Released	
SIZE DIN A2		TITLE bMotion PMDc 63x125		DOCUMENT REVISION 13010705 2	
DIMENSIONS IN mm		ENGLISH WORDING IS BINDING		DATE OF ISSUE SHEET 2024-05-22 1/10	
				ASSEM DRAWING	