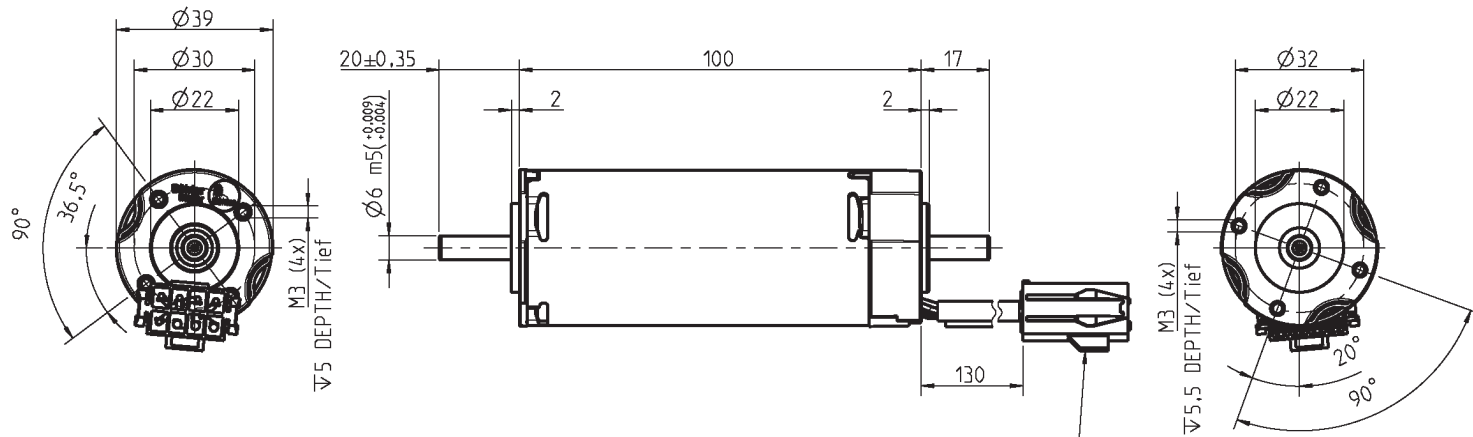


BLDC Motor 39x100
1.25.037.4XX



CONNECTOR HOUSING/Steckergehäuse:
JST YLR-08V
PIN CONTACTS/Kontakte:
SYM-01T-P0,5A

CABLE IDENTIFICATION / Kabel Zuordnung			
PIN	SIZE/Größe	COLOUR/Farbe	FUNCTION/Funktion
1	18 AWG	BLACK	PHASE B
2	18 AWG	WHITE	PHASE A
3	18 AWG	RED	PHASE C
4	26 AWG	BROWN	SUPPLY -ve
5	26 AWG	GREY	HALL EFFECT B
6	26 AWG	GREEN	HALL EFFECT A
7	26 AWG	BLUE	HALL EFFECT C
8	26 AWG	YELLOW	SUPPLY +ve

