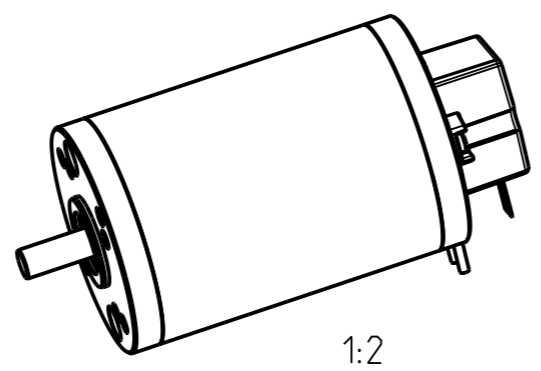
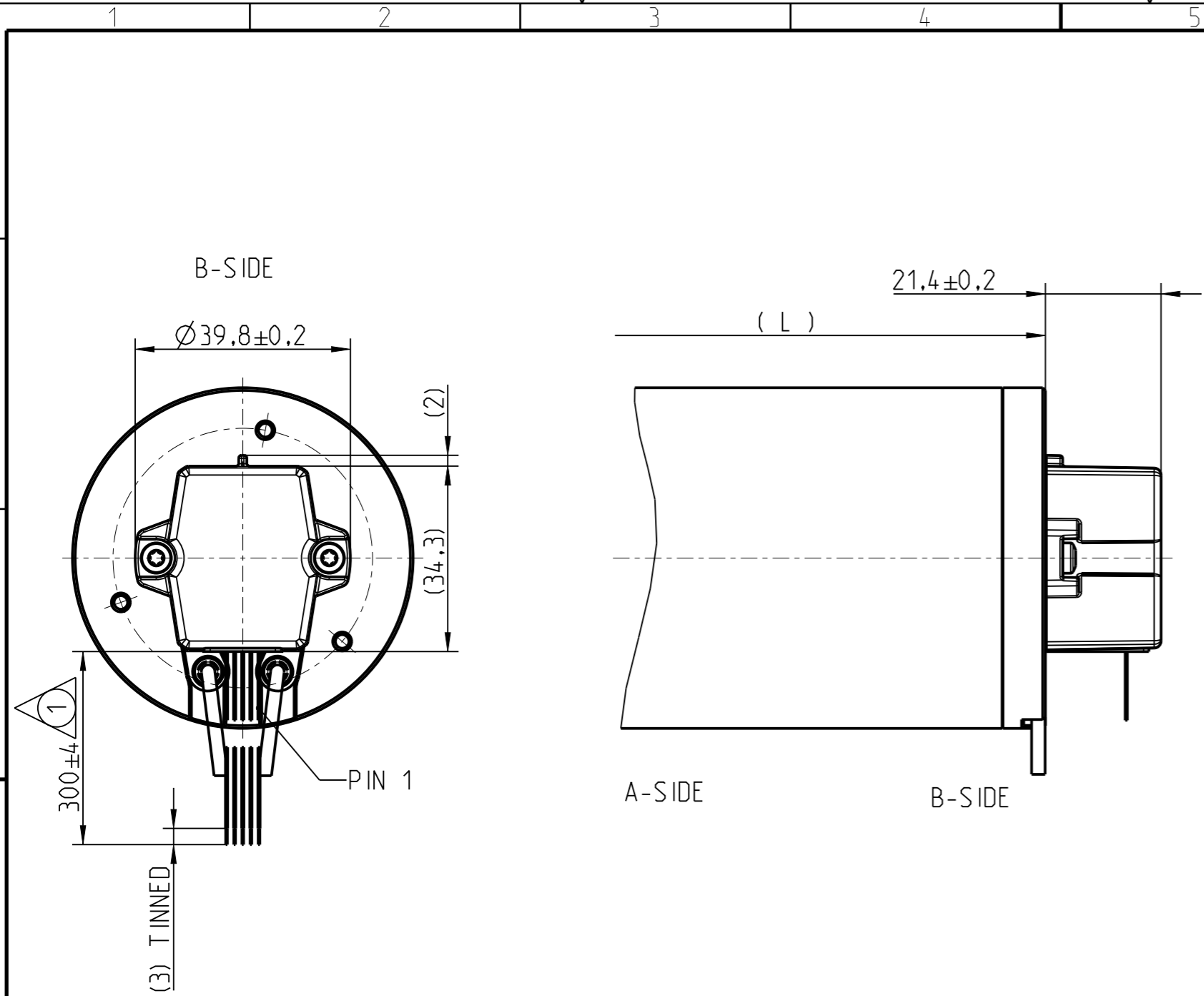


WEITERGABE SOWIE VERVIÄLFÄLTIGUNG DIESES DOKUMENTS, VERWERTUNG UND MITTEILUNG SEINES INHALTS SIND VERBOTEN, SOWEIT NICHT AUSDRÜCKLICH GESTÄTTET. ZUSÄTZLICHE VERFAHREN ZU SCHADENSABWEHRUNG ZU SCHADENSABWEHRUNG VORBEHALTEN. DER PATENT-, GEBRAUCHSMUSTER- ODER GESCHMACKSMUSTERRECHT VORBEHALTEN.
 FIRST ANGLE PROJECTION Projektionsmethode 1
 THE REPRODUCTION, DISTRIBUTION AND UTILIZATION OF THIS DOCUMENT AS WELL AS THE COMMUNICATION OF ITS CONTENTS TO OTHERS WITHOUT EXPRESS AUTHORIZATION IS PROHIBITED. OFFENDERS WILL BE HELD LIABLE FOR THE PAYMENT OF DAMAGES. ALL RIGHTS RESERVED IN THE EVENT OF A PATENT, UTILITY MODEL OR DESIGN.

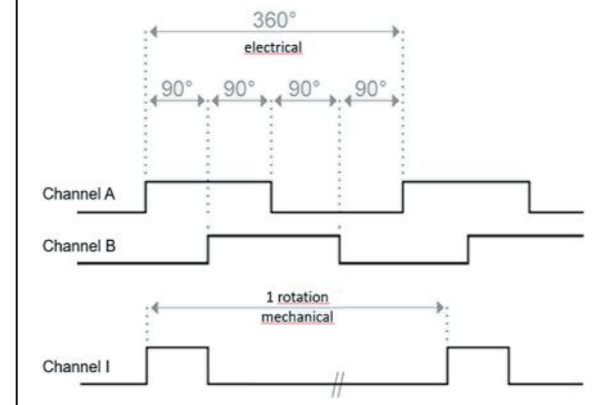


NOTES

HARNESS: 26AWG UL-STYLE 1061/10002 (5X)
 CONNECTOR: MOLEX FEMALE 5WAY 87439-0500 (1X)
 CRIMP: MOLEX CONTACT 26AWG 87421-0000 (5X)

ENCODER HARNESS ASSIGNMENT		
PIN	COLOUR	ASSIGNMENT
1	GN	INDEX
2	RD	SUPPLY V _{CC}
3	YE	CHANNEL A
4	BK	GND
5	VT	CHANNEL B

ENCODER CHARACTERISTICS (GMR-100)			
OPERATING VOLTAGE	U	5 ± 0.5	V DC
OUTPUT SIGNAL A/B IN COUNTS PER REVOLUTION	A/B	100	CPR
OUTPUT VOLTAGE	TTL-COMPATIBLE (V _{OH} = min. 4.5V, V _{OL} = max. 0.4 V)		
CHANNEL A/B PULS WIDTH	ΔT	± 55	°e
CHANNEL A/B PHASE SHIFT	Δ	± 45	°e



GENERAL TOLERANCES		MATERIAL		WT-PART NUMBER	
-		ENCODER BE140		13000596	
TOLERANCING		CHANGE DESCRIPTION		CREATED	
ISO 8015		0x ② EDITORIAL CHANGES		M.Semmlinger	
THEORETICAL MASS		CHANGE NUMBER		APPROVED	
(231.32 g)		-		Bretschneider	
SCALE		PREVIOUS VERSION		DOCUMENT STATE	
1:1		-		Design Released	
SIZE		TITLE		DOCUMENT REVISION	
DIN A3		bMotion PMDC 63x95		13001984 2	
DIMENSIONS IN mm		ENGLISH WORDING IS BINDING		DATE OF ISSUE SHEET	
				2024-05-21 6/10	
				ASSEM DRAWING	