

BLDC Water Pump

1.24.021.XXX

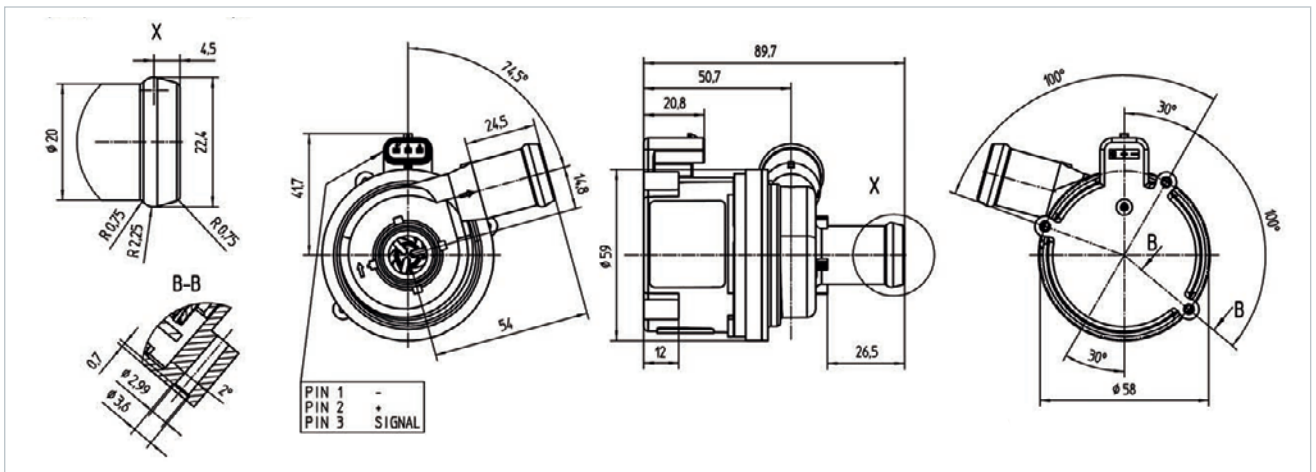


1.24.021.XXX

Design	
Pump	Wet-rotor principle not self-priming Intake fitting axial
Motor	Inner rotor design Overload protection Integrated RFI Protection against false polarity
Protection class	IP6K6K / IPX9K

Type 1.24.021.XXX			301
Characteristics*			axial
Rated voltage	U	V	12
Feed pressure	ΔP_D	bar	0.14
Feed output	V	l / h	720
Current	I_N	A	0.95
Overall efficiency	η	%	17
max. Constant current	I_{max}	A	1.2
max. Feed pressure	ΔP_{Dmax}	bar	0.22
max. Feed output	V_{max}	l / h	1000

Motor Parameters*			
Weight	G	g	255



1.24.021.301

* Lead wire 300 mm long will be included

Operational conditions			
Temperature range	T	°C	-40 - +125
Medium temperature	TM	°C	-40 - +125
Pressure range (absolute) - constant operations	P	bar	0.1 - 3.0

* at 25 °C